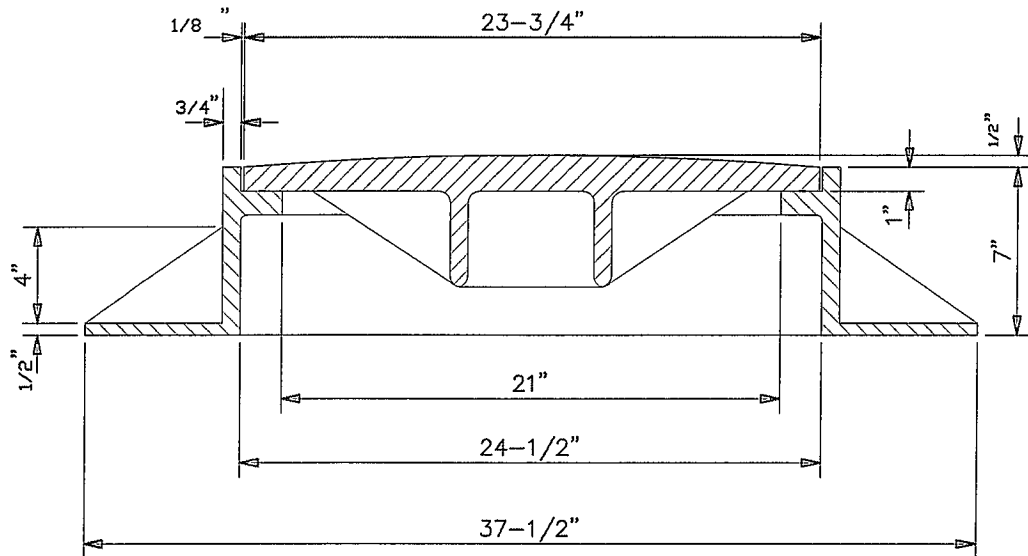
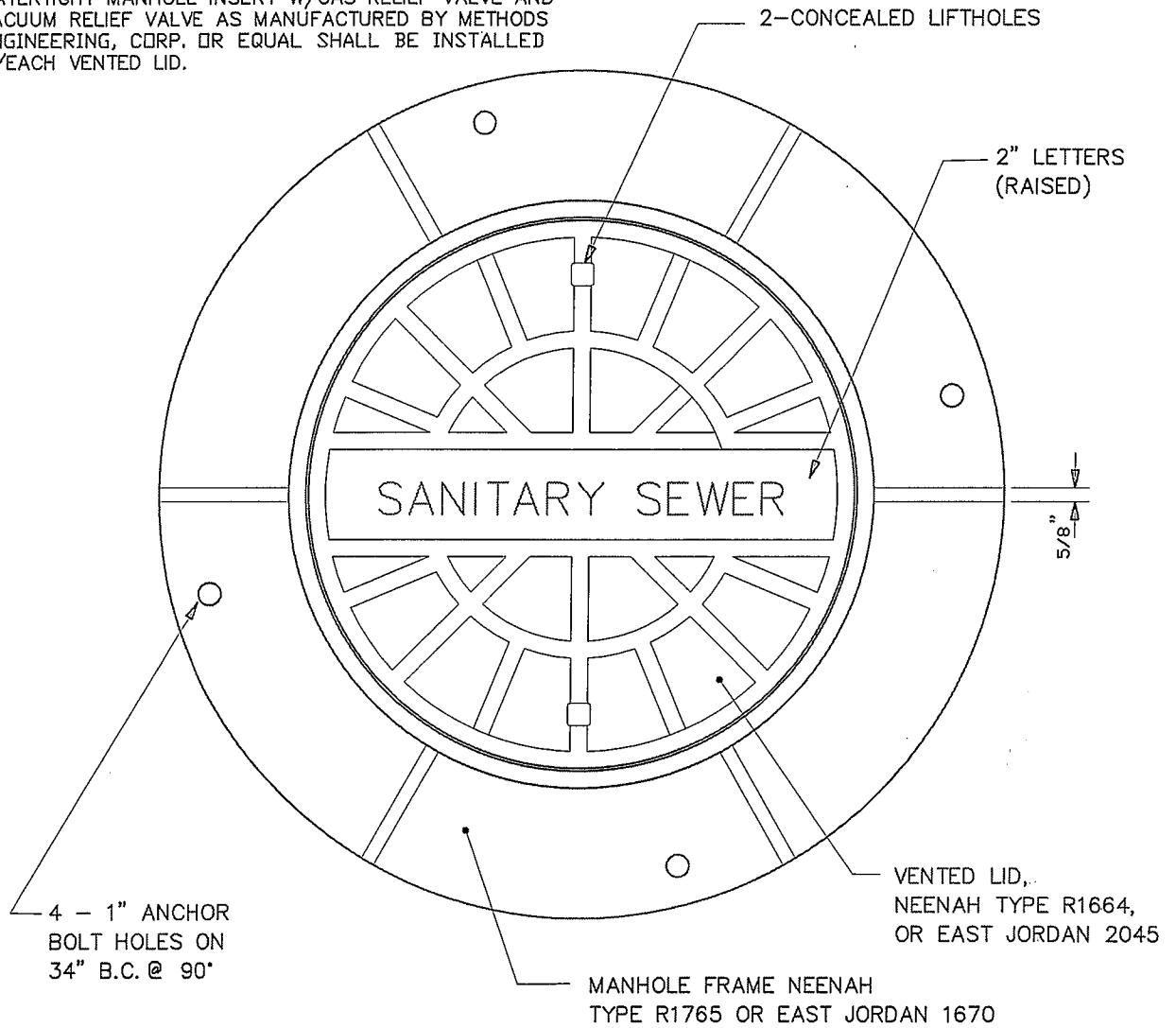


**NOTE:**

WATERTIGHT MANHOLE INSERT W/GAS RELIEF VALVE AND VACUUM RELIEF VALVE AS MANUFACTURED BY METHODS ENGINEERING, CORP. OR EQUAL SHALL BE INSTALLED W/EACH VENTED LID.



NO SCALE



CLERMONT COUNTY  
SEWER DISTRICT

APPROVED \_\_\_\_\_  
DATE \_\_\_\_\_

MANHOLE FRAME WITH  
VENTED LID

DRAWING NO.

S1.6