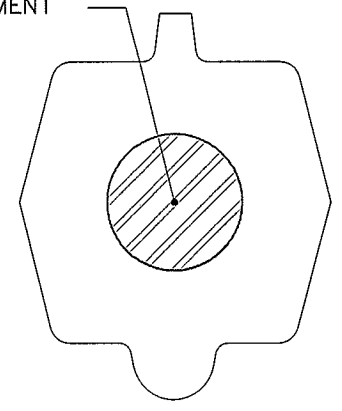
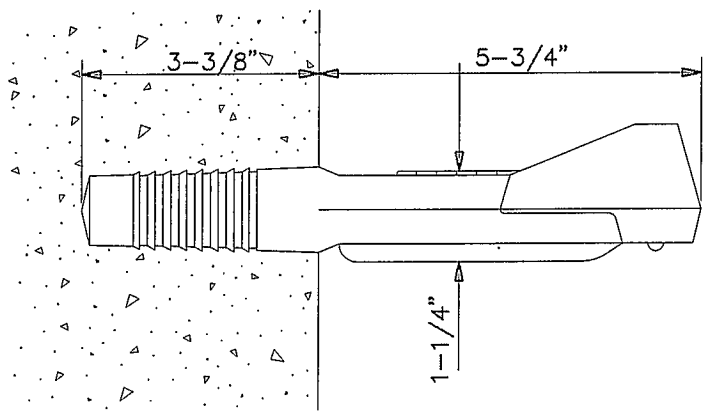


1/2"Ø GRADE 60  
STEEL REINFORCEMENT



SECTION

NO SCALE



CLERMONT COUNTY  
SEWER DISTRICT

APPROVED \_\_\_\_\_  
DATE \_\_\_\_\_

MANHOLE STEP-  
COPOLYMER

DRAWING NO.  
S1.9