

PLAN

COVER TO BE ALUMINUM NEENAH NO. R-6661-RH WITH OPEN END DEVICE AND TYPE "G" LIFT HANDLE

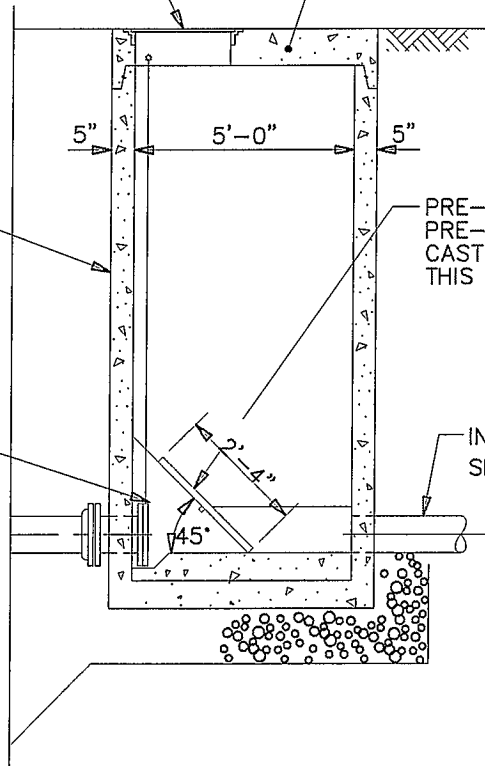
PRECAST TOP SLAB

PRECAST MANHOLE SIMILAR TO CCSD STD. DWG. S1.1

PRE-CAST BAR SCREEN IN A PRE-CAST MANHOLE BOTTOM, CAST SPECIFICALLY FOR THIS APPLICATION.

SHEAR GATE TO BE NEENAH NO. R-5005 SERIES OR EQUAL

INFLUENT SEWER



SECTION

NO SCALE



CLERMONT COUNTY
SEWER DISTRICT

BAR SCREEN
MANHOLE
DETAIL

DRAWING NO.

S5.1.1

APPROVED _____
DATE _____