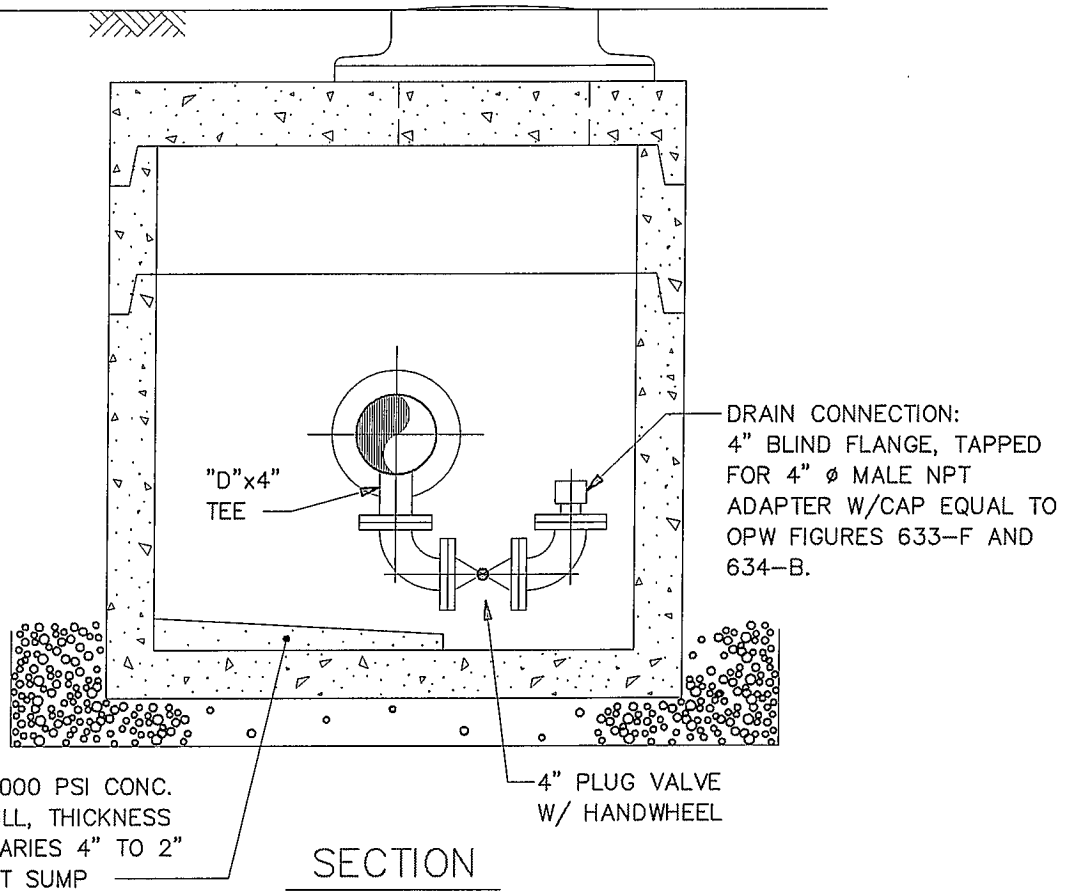
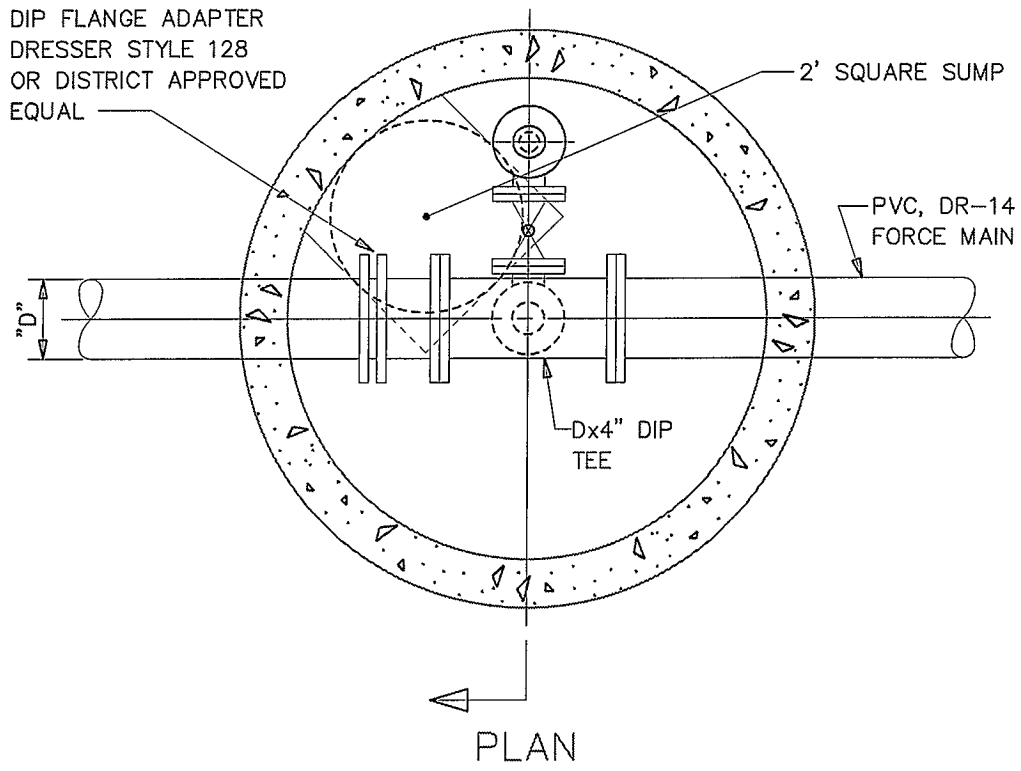


NOTE:

MANHOLE OTHERWISE
SIMILAR TO CCSD
STANDARD DWG. S5.2.1



SECTION



PLAN

NO SCALE



CLERMONT COUNTY
SEWER DISTRICT

APPROVED _____
DATE _____

STANDARD
FORCE MAIN
LOW POINT MANHOLE

DRAWING NO.
S5.2.2