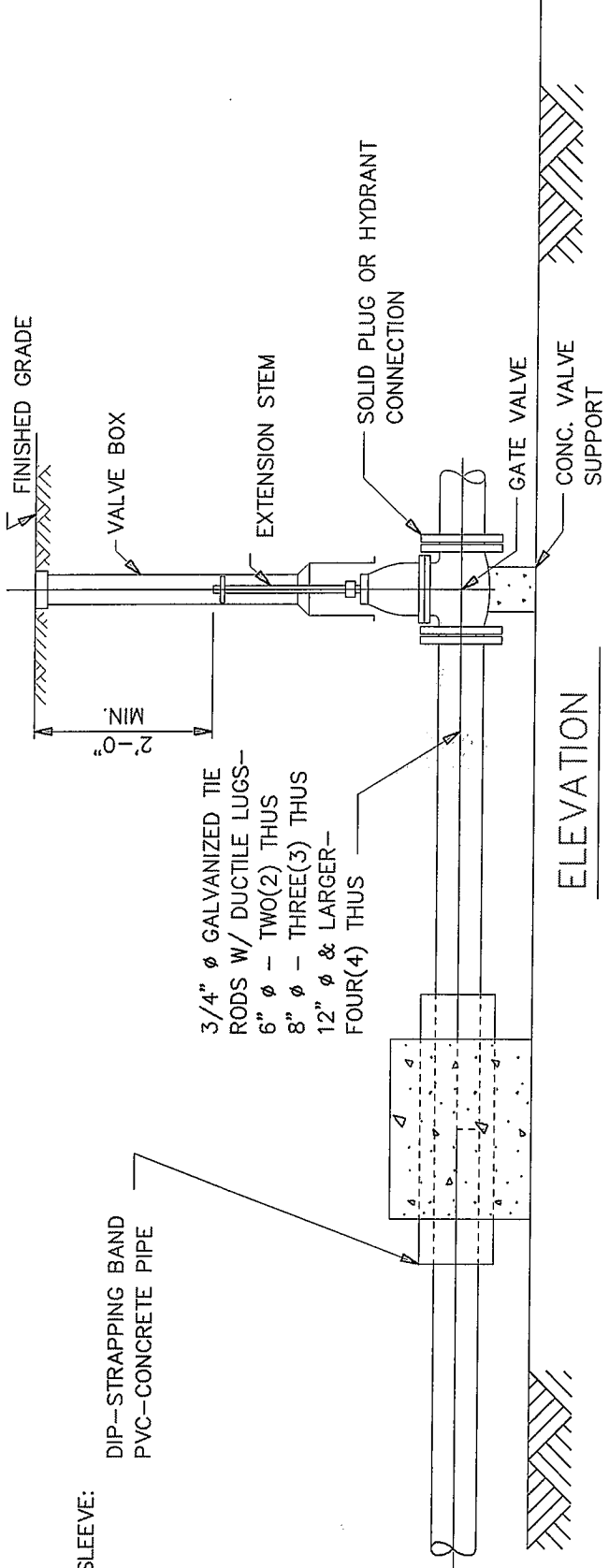


PLAN



ELEVATION

NO SCALE



CLERMONT COUNTY
SEWER DISTRICT

APPROVED _____
DATE _____

VALVE RESTRAINT
BLOCKING

DRAWING NO.
W1.2