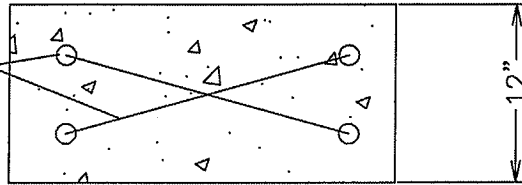
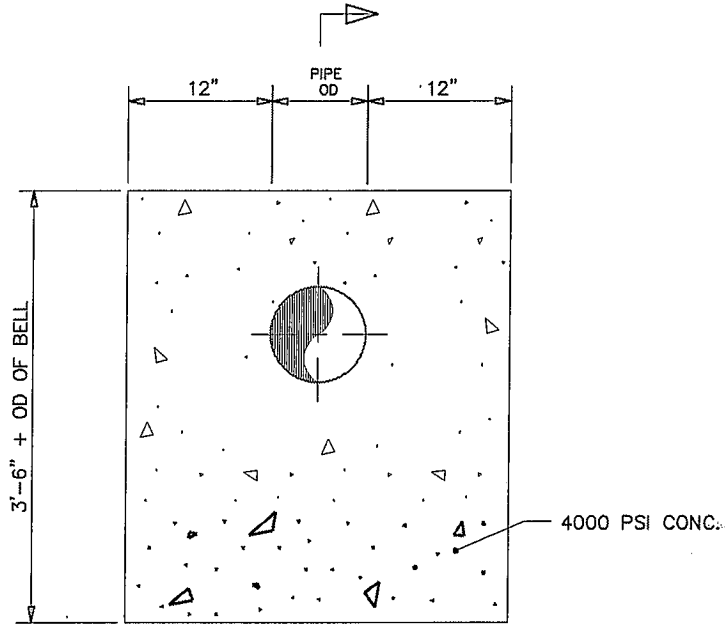


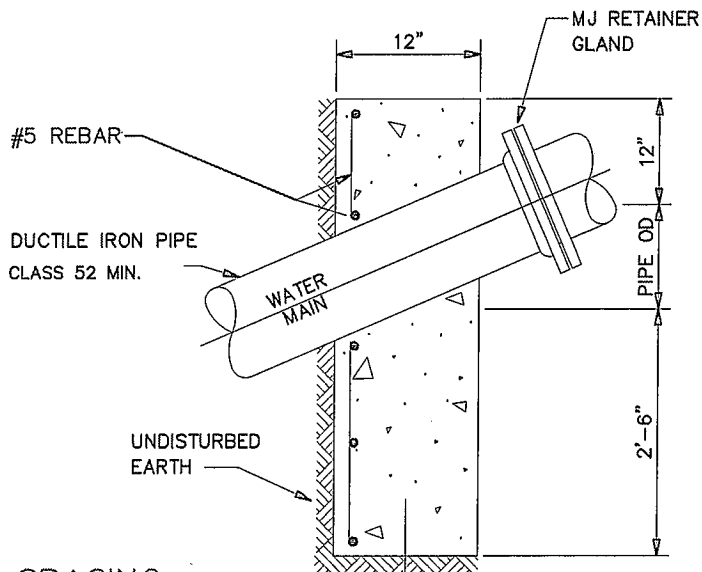
#5 REBAR
TYP. TOP
& BOTTOM



TOP



ELEVATION



SECTION

MINIMUM SPACING:

- 36' ON GRADES 15%-35%
- 24' ON GRADES 35%-50%
- 16' ON GRADES OVER 50%

NO SCALE



CLERMONT COUNTY
SEWER DISTRICT

APPROVED _____
DATE _____

KEYBLOCK ANCHORS
FOR WATERMANS ON
STEEP SLOPES

DRAWING NO.
W1.7