

LID TO BE NEENAH R-6661-LH ALUMINUM W/TYPE G LIFT HANDLES & RATCHETS & TYPE J (T-HANDLES LOCK OR APPROVED EQUAL. CENTER LID OVER DETECTOR CHECK VALVE ASSEMBLY

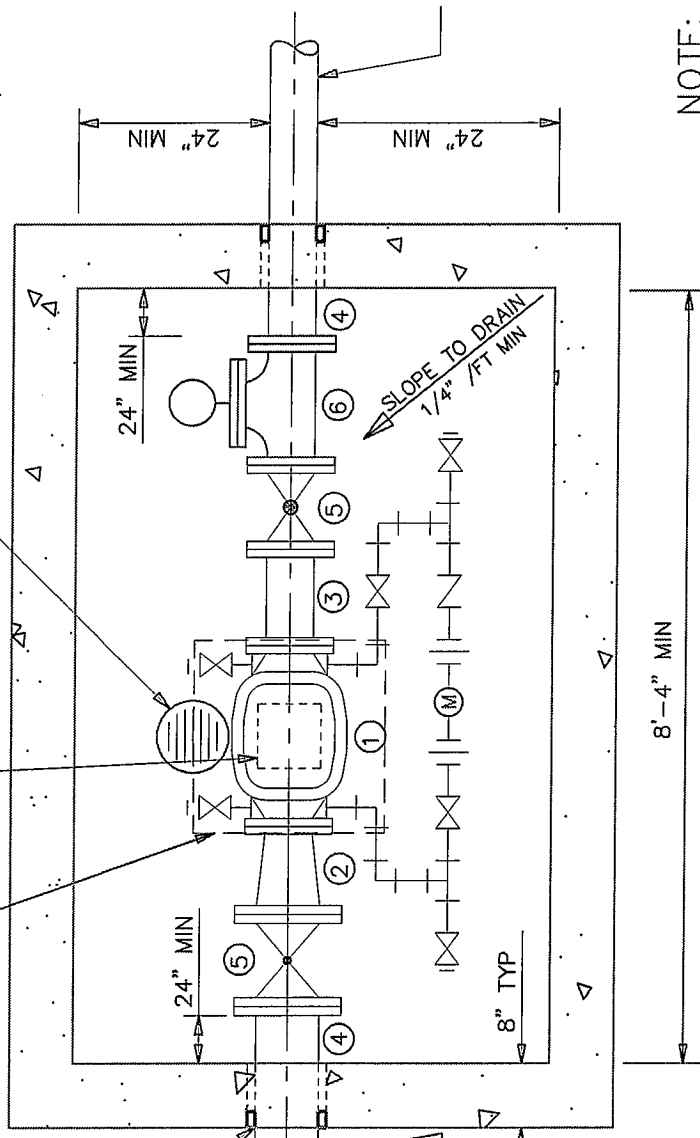
8" SQ. 2000 PSI CONCRETE BASE

6" FLOOR DRAIN JOSAM TYPE 32226 OR EQUAL TO STORM SEWER (CENTER DRAIN UNDER MANHOLE LID)

MECH. LINK SEALS (TYP) 5/8" THREAD RODS BACK TO WALL

DUCTILE IRON, CL 52 6" MIN

FIRE LINE - DUCTILE IRON, CL 52 6" MIN. TO 3'-0" OUTSIDE OF VAULT



NOTE:

① DETECTOR CHECK VALVE ASSEMBLY. SEE CCSD STD. DWG. W3.1

② FLANGED CONCENTRIC REDUCER

③ FLANGED SPOOL x 12" LENGTH

④ FLANGED - PLAIN END (3' MIN. LENGTH)

⑤ FLANGED INDICATOR GATE VALVE W/ HANDWHEEL OR POST INDICATOR VALVE, AS REQUIRED BY FIRE DEPARTMENT ELECTRONIC SUPERVISION OF VALVE AS REQUIRED

⑥ FIRE DEPARTMENT CONNECTION AND/OR FIRE ALARM SYSTEM, IF REQUIRED BY FIRE DEPARTMENT

SEE CCSD STANDARD DWGS W4.5 & W4.6 FOR WATER SYSTEM CHAMBER DETAILS

NO SCALE



CLERMONT COUNTY SEWER DISTRICT

APPROVED _____
DATE _____

FIRE PROTECTION WITH DETECTOR CHECK

DRAWING NO. W4.1